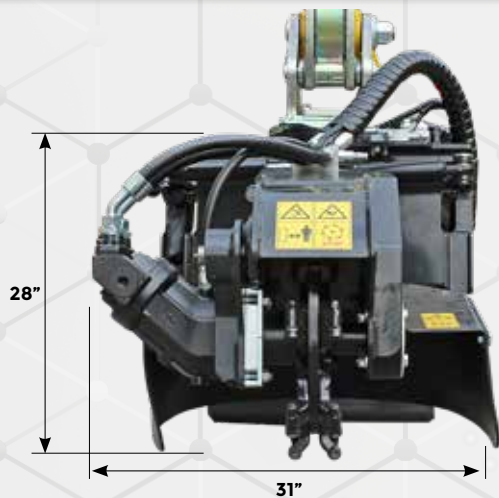




ENERGREEN[®] *America*
Professional Machines 

STUMP GRINDER



STUMPGRINDER



STUMP GRINDER is a professional tool designed to remove tree stumps by means of a rotating cutting disc with an oscillating arched movement. The stumps and logs are shredded in order to allow the mixing of the woody parts with the ground.



EUSEQDS71500 - © Energreen America 2021 - All rights reserved - Photo, technical and constructive characteristics subjected to modification without reporting requirement.

TECHNICAL DATA

Width	31"
Height	28"
Depth	49"
Cutter disc diameter	19"
Working width	43"
No of teeth	16
Tooth diameter	1"
Oil pressure	Max 250 bar / 3625 psi
Oil flow	13-19 gal/min.
Weight	617 lb

CAPACITY BY CUTTING



Trunk Ø	minutes
16"	7
26"	18
41"	45

The data are based on trunks with a height of 6" milled and buried up to 6".