

RoboMAX 75HP



ENERGREEN[®] *America*
Professional Machines 

REMOTE
CONTROLLED
TOOLS
CARRIER

55° SLOPE



REMOTE CONTROLLED
TOOLS CARRIER



ROBOMAX

*Robo***MAX**
75HP

Powerful Remote Controlled Tools Carrier

RoboMAX is a powerful remote controlled tools carrier machine that can easily work in different activities and branches. The standard equipment includes two hydraulic double-effect functions.

Designed to satisfy the most different needs, RoboMAX can be defined as a multifunction machine, with power and performances that can be easily compared to a traditional tractor with several accessories.

The main features that make the difference about this machine among all other robots are: power, reliability, strenghtness, high performances, versatility and a diesel 75 HP engine.



WORKING
RANGE 492 FT

STRENGTHS

RoboMAX
75HP



STRENGTHS



Safety and Comfort

- Radio controlled machine
- Operator in safety zone
- Emergency button on the remote control
- Excellent maneuverability
- Easy to use and carry



Working on steep slopes

- Special design of the tracks
- Excellent grip in all directions up to 55°
- Special oil sump
- Low center of gravity



Multifunction

- Multiple tools available
- Road and river maintenance
- Green maintenance and forestry work
- Agriculture and industry service
- Winter road service



Productivity

- Engine 75 HP EPA Tier 4f
- Quick change of equipment
- Fast execution of work
- Maneuverability on any surface





OPERATOR
IN SAFETY
ZONE

REMOTE CONTROLLED

RoboMAX is Safety

RoboMAX is a remote controlled machine, able to work in complete safety in dangerous areas, with slopes up to 55° in any directions.

The exceptional stability of the machine is given by a low center of gravity, a special oil sump and rubber or steel tracks for an excellent grip.

The safety of the operator is one of our targets: the use of the remote control with up to 492 ft range avoids several work risks to the operator such as noise, vibrations, exposure to exhaust materials, etc.

RoboMAX 75HP

THE REMOTE CONTROL
IS LIGHT, INTUITIVE,
AND EASY TO MASTER

EMERGENCY
BUTTON



492 FT

RoboMAX 75HP



QUALITY COMPONENTS ✓

RoboMAX is built with an ultra-resistant steel to ensure a long duration; all the components are tested and certified to ensure the maximum reliability and safety.

- Engine tested by the producer with a remarkable reputation for the reliability.
- Remote-control technology developed by a team of specialized experts.
- Powerful and efficient powerful engine, ideal for steep slopes.
- Engine crankcase designed to ensure the lubrication, even on steep slopes.
- Double roll bar integrated into the frame to ensure a total protection of the machine.
- Independent cooling system of the hydraulic system to optimize the performances.
- Flat bottom frame to protect the parts of the engine and prevent the entrance of cutted vegetation to protect all the components.

Born to satisfy the most difficult needs, RoboMAX can easily be defined a remote-controlled grass cutting machine with power and performances comparable to a classic grass cutting arm for a tractor. These main features distinguish this machine from any other robot used for grass cutting: **power, reliability, strength and high efficiency.**



YANMAR ENGINE 75 HP

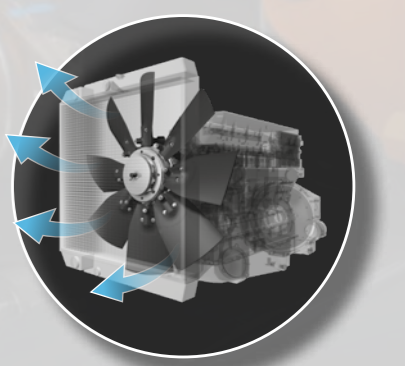


THE BEST COMPONENTS



FREXXAIRE® SELF-CLEANING REVERSIBLE FAN

RoboMAX is equipped with the self-cleaning reversible fan FLEXXAIRE®, to increase productivity and fuel saving.





WORK ON SLOPES

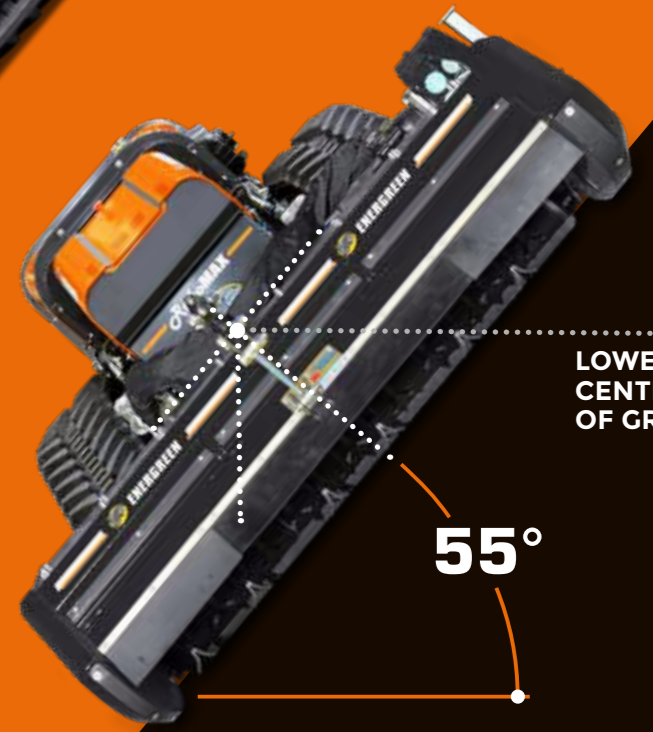
Working on steep slopes up to 55°

The special design of the tracks and its tensioning system makes **RoboMAX** a safe machine for working on slopes up to 55° in any directions: hilly and mountain areas, slopes, embankments, and in all those places where the adherence is very low and where a machine for high slopes is required.

RoboMAX



LOWERED CENTER OF GRAVITY



LOWERED CENTER OF GRAVITY

55°

MULTIFUNCTION



The suitable tool for every work

RoboMAX is a technologically advanced machine that responds to the current needs of safety and performances requested by the market.

Energreen wants to change the traditional concept of the grass cutting, creating a remote-controlled machine, that can do operations of mowing where previously there was only the possibility to use hand brush cutters; this represents a new frontier of use, where the safety of the operators is put first.

RoboMAX is certainly faster than the traditional ways of mowing; it allows to optimize the work in the most different working environments.



EQUIPMENT

RoboMAX
75HP



HEAD 180 MULCHING HEAD

Strong and reliable cutting head, built in Strenx®, ideal for cutting grass and shrubs, up to a diameter of 1,18 in. It can be equipped with a Y-shaped knives rotor with adjustable height of cutting.

TECHNICAL DATA

Working width	69 in
Maximum width	80 in
Cutting diameter	1,18 in
Speed rotor	2300 rpm
No. of flails	72
Weight	1058 lbs



FORESTRY 150 H FORESTRY HEAD WITH ROTARY HAMMERS

Strong and reliable forestry head, built in Strenx®, ideal for cutting grass, shrubs and reeds, up to a diameter of 3,14 in. It is equipped with a rotary hammers rotor, able to grind the cutted material.

TECHNICAL DATA

Working width	59 in
Maximum width	71 in
Cutting diameter	3,14 in
Speed rotor	2200 rpm
No. of hammer	20
Weight	1796 lbs



FORESTRY 150 T FORESTRY HEAD WITH FIXED TEETH

Strong and reliable forestry head, built in Strenx®, ideal for cutting shrubs and reeds, up to a diameter of 4,7 in. It is equipped with a fixed teeth rotor, able to grind the cutted material.

TECHNICAL DATA

Working width	58 in
Maximum width	71 in
Cutting diameter	4,7 in
Speed rotor	2200 rpm
No. of flails	42
Weight	1796 lbs

Technical and construction specifications may be subject to change without prior notice



PRUNER DISCS

DUAL BLADE HEDGE TRIMMER

This tool is suitable for pruning on vineyards, olive trees, hedges, or trees in general. It can reach a cutting length of 130 in. The cutting disks are made of stainless steel to ensure a long duration.

TECHNICAL DATA

No. flails	5 + 3
Vertical cut	79 in
Horizontal cut	51 in
Extension height	27 in
Horizontal extension	27 in
Weight	750 lbs



SPRAYER EG400

Robust tool with polyester tank, suitable for the execution of pesticide treatments and fungicides on vineyards and fruit trees. It can be equipped with the weeding bar and the reel with manual water gun.

TECHNICAL DATA

Capacity	105 gal
Fan	23 in
Power	20 HP (15 kW)
Flow	25 gal/min
Air volume	1,5 in ³ /h
Weight	1543 lbs



STUMP GRINDER

Professional tool designed to till, with an oscillating arc movement, stumps or trunks until they are chopped and then buried in order to quickly clean up the area.

TECHNICAL DATA

Disc diameter	18 in
Teeth diameter	0,96 in
No. of teeth	16
Pressure	250 bar
Oil flow	21-36 gal/min
Weight	551 lbs



BIO-SHREDDER

Powerful professional tool designed to cut any kind of vegetal waste, bundles of twigs or trunks, up to a diameter of 3,9 in. It is equipped with an adjustable conveyor for the discharge of the cutted material.

TECHNICAL DATA

Max. cross-section	4 in
Output	353 ft ³ /h
Shredding opening	230x320 mm
No. blades / hammers	2 / 20
Power	20 HP (14,7 kW)
Weight	1014 lbs



FORESTRY WINCH

Professional forestry winch equipped with disc brake: retains any weight at 100% in any working condition. The forestry winch is built entirely of high quality steel, resulting robust and lightweight at the same time.

TECHNICAL DATA

Tractive power of the cable's 1st turn	7,1 US ton
Tractive power of the complete drum	5 US ton
Wire rope length	262 ft
Speed	1,1 - 2,2 mph
Shield	5,2 x 2,2 ft
Weight	661 lbs



TRENCHER 1500

Professional tool designed to do excavations on vegetal lands or compact grounds. It is necessary for the realization of installations of different type. In addition, it is equipped with an adjustable back foot for the control of the depth.

TECHNICAL DATA

Digging depth	29/59 in
Digging width	6/12 in
Length	106 in
Width	448 in
Pressure	240 bar
Weight	1190 lbs

Technical and construction specifications may be subject to change without prior notice



STONE CRUSHERS

Stone crusher ideal to use in orchards or vineyards, and for roadwork. It can also be used to create firebreak trenches in the woods, destroy stumps, make trekking routes, level ski slopes, golf courses, etc.

TECHNICAL DATA

Rotor width	17 in
No. hammer	4
Pressure	290 bar
Hydraulic drive with piston	
Belt transmission	
Weight	1031 lbs



SNOW BLOWER

Blower designed to remove the snow, both soft and frozen, from roads, sidewalks, squares, car parks, ramps, and narrow or hardly accessible places. It is equipped with a deflector for an adjustable ejection.

COMING SOON



BUCKET

Robust tool, essential for the loading and handling of materials in narrow or dangerous environments. The use of two hydraulic cylinders ensure the unloading of the product at a height of 31 in.

COMING SOON





OPTIONAL



Strong Radiator Protection

RoboMAX can be equipped with a rear steel protection for the radiator (optional). It is a solid structure made up of metal tubes and plates designed to limit damages in case of collision. The structure is handy and easy to open, making everyday maintenance much easier, thanks also to the possibility of lifting it and have an easy access to the radiator.



OPTIONAL



Winch

RoboMAX can be equipped with a rear hydraulic winch, useful for towing the machine in case of need. It has a towing capacity of 3086 lbs, which added to the power of the machine increases its strength to ensure maximum reliability.

TECHNICAL DATA

Pulling force	3086 lbs
Hydraulic flow	5,2 gal/min
Drum rope length	105 ft
Rope diameter	0,31 in
Towing pressure	180 bar
Weight (complete with support)	396 lbs



OPTION A

RUBBER TRACKS

IDEAL TRACKS FOR DELICATE SURFACES

- 14" of width
- Excellent adherence to the ground
- Work on sloping areas up to 40°



Cogwheel of the tracks in tempered steel



OPTION B

SUPER RUBBER TRACKS

IDEAL TRACKS FOR FORESTRY WORKS OR AREAS WITH DENSE VEGETATION

- 14" of width
- Wide supporting surface with consequent less weight per cm²
- Work on sloping areas up to 55°



Adaptor with hydraulic motor

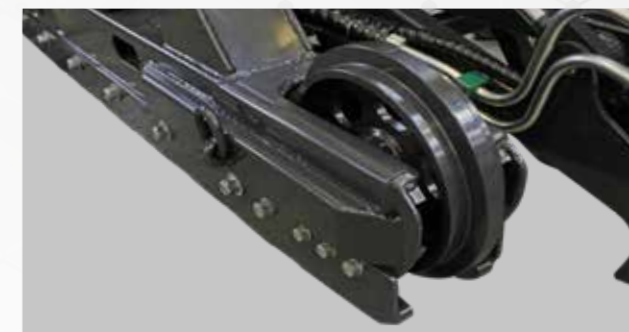


OPTION C

STEEL TRACKS

IDEAL TRACKS FOR ROCKY OR WET SURFACES

- 12" of width
- Excellent adherence to the ground
- Work on sloping areas up to 55°



Track tensioner with safety spring

TECHNICAL DATA



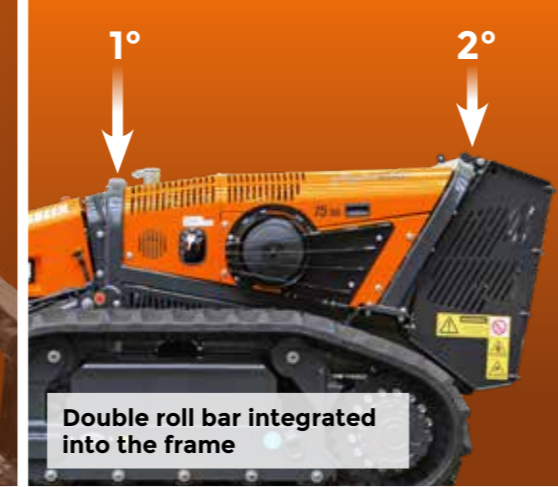
Command board with color display 4,3"



Anti-theft fuel cap



Reversible fan FLEXXAIRE®



Double roll bar integrated into the frame



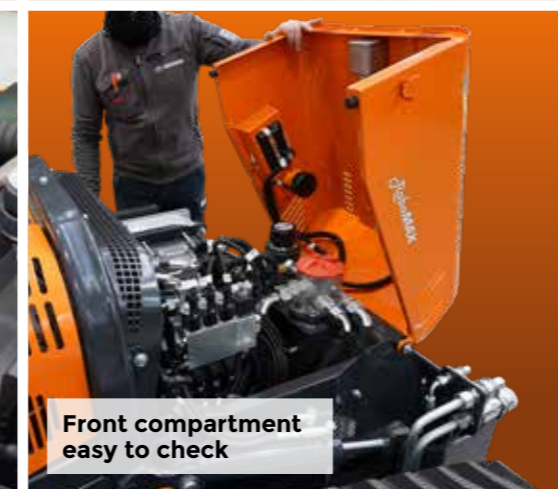
Yanmar engine 75 HP EPA Tier 4f



Engine compartment easy to check



Air filter easy to check



Front compartment easy to check



Mechanic coupling lifter with reinforced plate



Quick hydraulic couplings



Steel air filter protection



Led lights



RoboMAX

Maximum gradient	55°
Transmission	Hydrostatic
Low range speed	0 - 1.55 mph
High range speed	0 - 3.40 mph
Machine weight without equipment	5445 / 5820 lbs

ENGINE

Brand	Yanmar
Type	4 Cylinders Diesel
Power	75 HP (55 kW) - EPA Tier 4f
Fuel tank capacity	16 gal.
Working RPM	2500 rpm

REMOTE CONTROL

Brand	Autec
Radio frequency	915 Mhz
Working range	492 ft
Joystick	Proportional
Battery	Rechargeable

REMOTE CONTROL CASE standard



Technical and construction specifications may be subject to change without prior notice.

ACCESSORIES



RoboMAX



ENERGREENAMERICA.COM



REMOTE CONTROLLED TOOLS CARRIER



Local dealership



ENERGREEN[®] *America*
Professional Machines

ENERGREEN America · 1242 Nowell Dr · Augusta · GA 30901 · USA
Phone CA 510 593 3144 · Phone GA 706 945 2800
info@energreamerica.com · www.energreamerica.com

PROFESSIONAL MACHINES AND EQUIPMENT



ELUSDPI300102 - 09/21 - © Energreen America 2021 - All rights reserved
Photo, technical and constructive characteristics subjected to modification without reporting requirement.