



RoboEVO
EQUIPMENT

TRENCHER



ENERGREEN America
1242 Nowell Dr · Augusta
GA 30901 · USA
Phone CA 510 593 3144
Phone GA 706 945 2800

info@energreenamerica.com
www.energreenamerica.com

PROFESSIONAL MACHINES AND EQUIPMENT



09/2021 - © Energreen America 2021 - All rights reserved - Photo, technical and constructive characteristics subjected to modification without reporting requirement.



TECHNICAL DATA SHEET
TRENCHER

Professional trencher designed to perform digging operations up to a depth of 35" with a width varying from 5" to 8". The digging arm is reinforced and provided with springs to absorb bumps during work. It is equipped with an adjustable support foot for depth control. The tungsten carbide chain excavation system offers longer tooth life and reduced vibrations in difficult conditions. Available in different tooth configurations for excavation in soft terrain, mixed terrain, hard or icy terrain, asphalt.



Steel Crumb with loaded spring to permit a correct trench operation and safe time to work

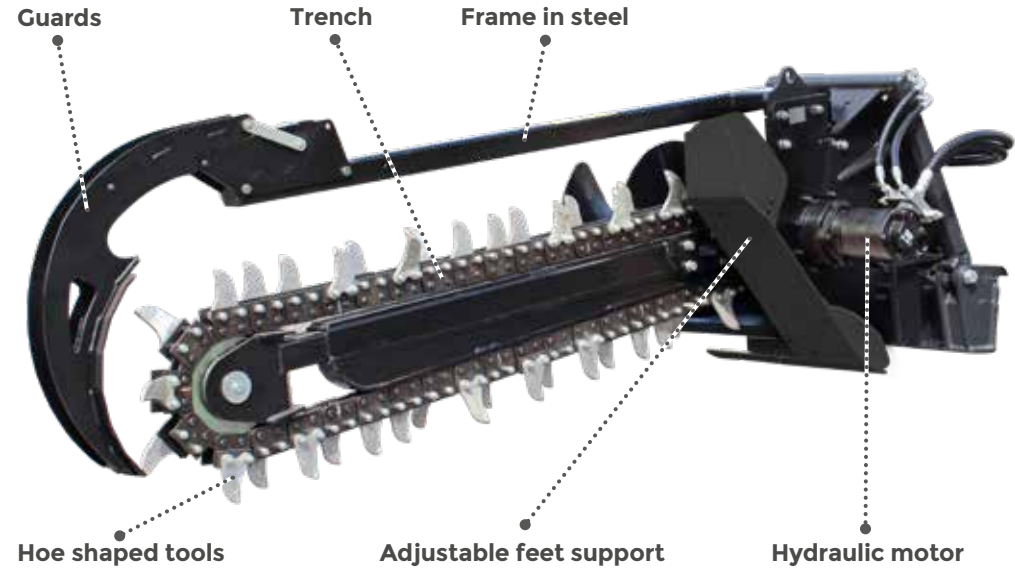
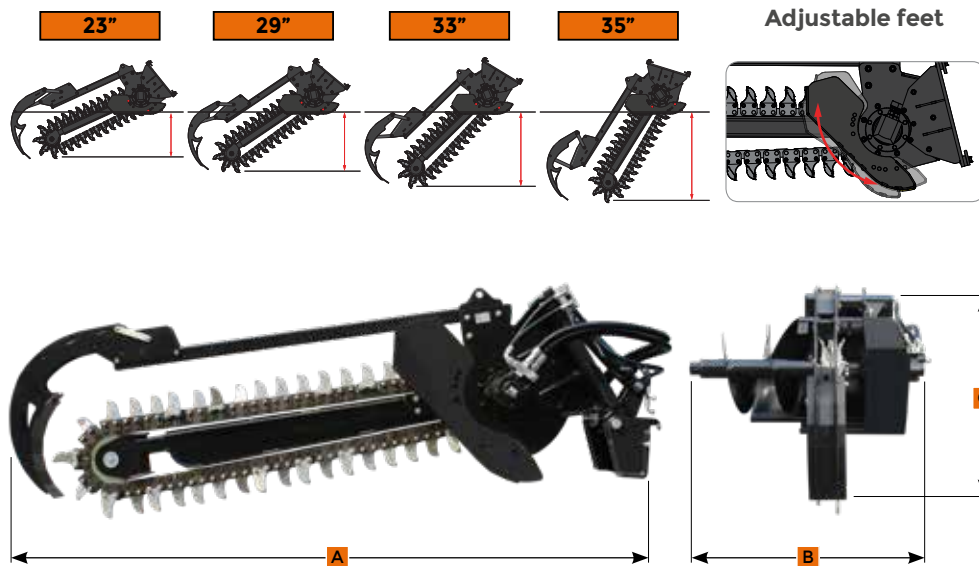
Super heavy duty spring-loaded crumb design ensures you can start trenching with the crumb in the ground. This eliminates the need to step out of the machine once the trench has started - saving you time.



Foot for the adjustment of the excavation depth



Hydraulic auger



TECHNICAL DATA

(A) Length	83 in	Digging depth	39 in
(B) Larghezza - Width	34 in	Digging width	5/6/8 in
(C) Altezza - Height	26 in	Pressure	240 bar / 3480 psi
Power	22 kW (30 hp)	Weight	573 lbs

Tools for compact ground



Cochlea for the transfer of material



Hydraulic cylinder

