



**RoboEVO**  
EQUIPMENT

**SNOW BLOWER**



ENERGREEN America  
1242 Nowell Dr · Augusta  
GA 30901 · USA  
Phone CA 510 593 3144  
Phone GA 706 945 2800

info@energreenamerica.com  
www.energreenamerica.com

PROFESSIONAL MACHINES AND EQUIPMENT

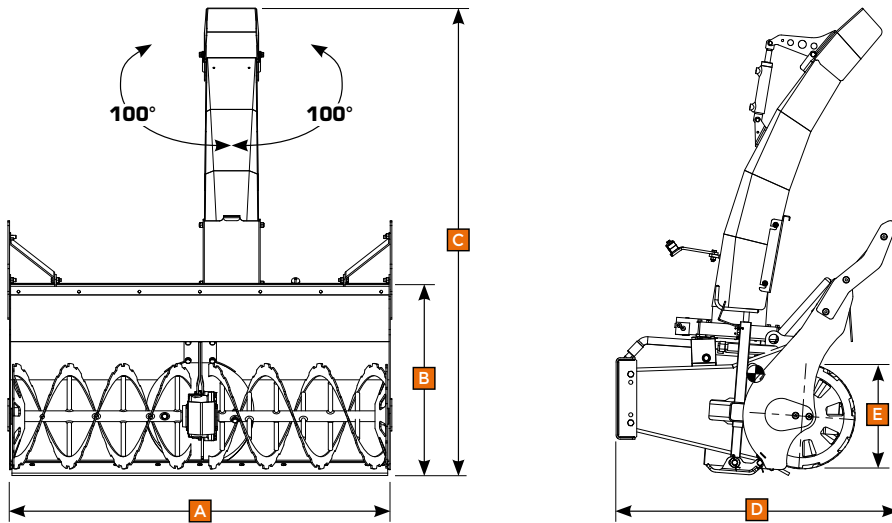


09/2021 - © Energreen America 2021 - All rights reserved - Photo, technical and constructive characteristics subjected to modification without reporting requirement.



TECHNICAL DATA SHEET  
**SNOW BLOWER**

Double stage snow blower, designed to remove the snow, both cold and frozen, from roads, sidewalks, squares, car parks, ramps, and narrow or hardly accessible places. It is equipped with a deflector for an adjustable hydraulic ejection.



TECHNICAL DATA			
(A) Working width	55 in	(E) Ø cutter	15 in
(B) Working height	28 in	Hydraulic motor	51 cc - 350 bar - 5076 psi
(C) Height	68 in	Adjustable chimney	+/- 100°
(D) Depth	40 in	Weight	617 lbs

