



RoboEVO
EQUIPMENT

LAND BLADE



ENERGREEN America
1242 Nowell Dr · Augusta
GA 30901 · USA
Phone CA 510 593 3144
Phone GA 706 945 2800

info@energreenamerica.com
www.energreenamerica.com

PROFESSIONAL MACHINES AND EQUIPMENT

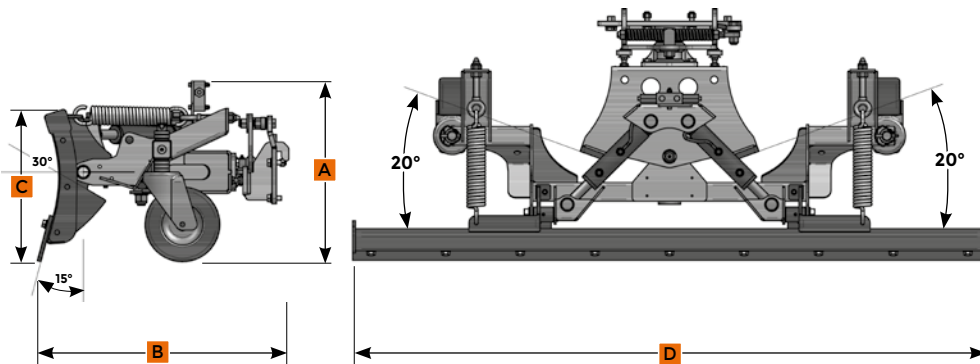


09/2021 - © Energreen America 2021 - All rights reserved - Photo, technical and constructive characteristics subjected to modification without reporting requirement.



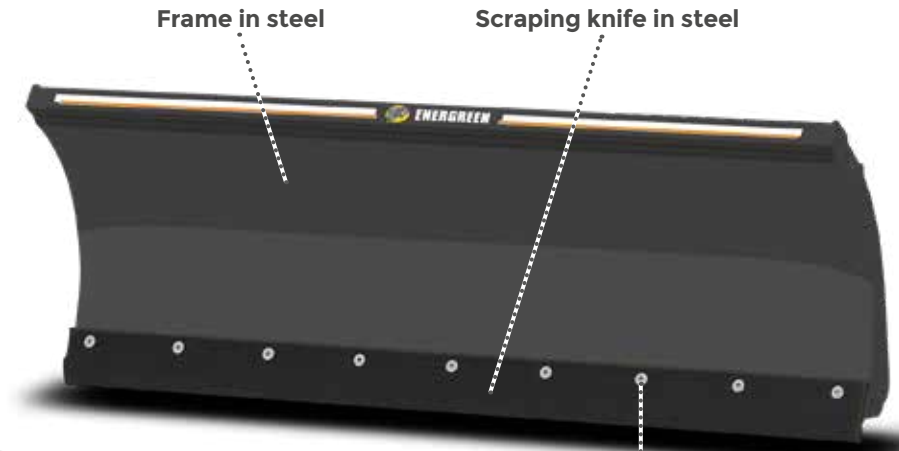
TECHNICAL DATA SHEET
LAND BLADE

Land blade made of steel, appropriate for the maintenance of roads, streets, avenues, squares and the removal or transfer of dirt, leaves and other material. It is equipped with pressure springs for the overcoming of possible unexpected obstacles. Inclination of $\pm 20^\circ$ through hydraulic cylinders with pressure relief valves. Easy substitution of the knife, thanks to several fixing bolts. In addition, this blade is fitted with base feet and supporting spinning wheels.



TECHNICAL DATA

(A) Height	18 in	Knife	Steel
(B) Depth	25 in	Inclination angle	$\pm 20^\circ$
(C) Blade height	14 in	Oscillation angle	$\pm 13^\circ$
(D) Blade width	67 in	Weight	375 lbs



$\pm 20^\circ$ blade inclination through hydraulic cylinders

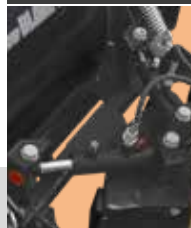
Screws for the substitution in the scraping skid



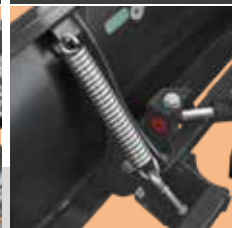
Oscillating joint assembly



Hydraulic angle



Shockproof spring



Swivel wheels

