



RoboEVO
EQUIPMENT

FORKS



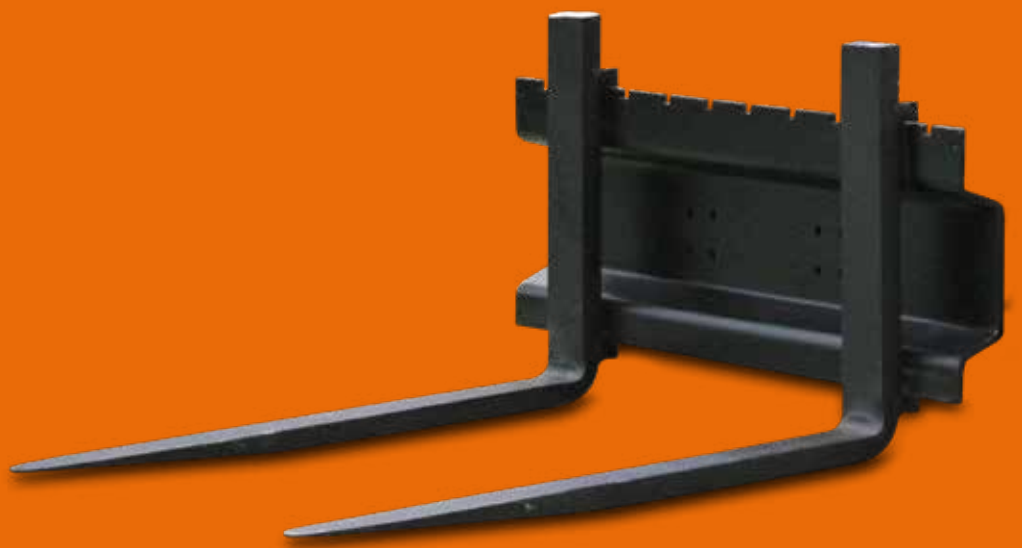
ENERGREEN America
1242 Nowell Dr · Augusta
GA 30901 · USA
Phone CA 510 593 3144
Phone GA 706 945 2800

info@energreenamerica.com
www.energreenamerica.com

PROFESSIONAL MACHINES AND EQUIPMENT

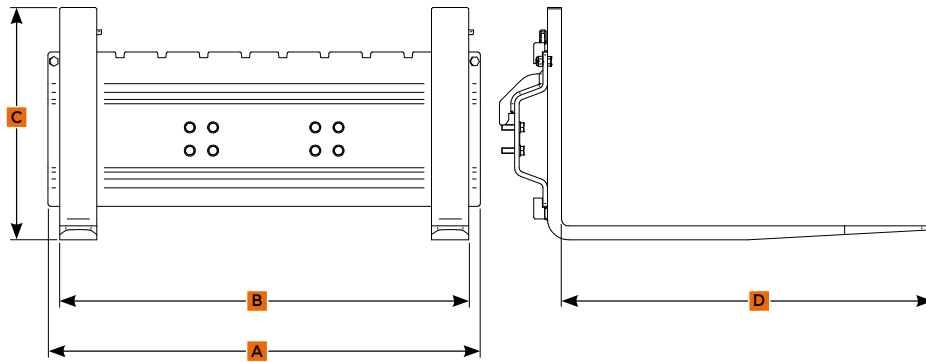


09/2021 - © Energreen America 2021 - All rights reserved - Photo, technical and constructive characteristics subjected to modification without reporting requirement.



TECHNICAL DATA SHEET
FORKS

Robust steel forks, 31" long, useful for the handling of various types of goods placed on pallets, up to a maximum weight of 661 lbs.



TECHNICAL DATA

| | |
|-------------------------|------------|
| (A) Width | 36 in |
| (B) Max forks width | 35 in |
| (C) Height | 19 in |
| (D) Length forks | 31 in |
| Class forks | 1-ISO 2328 |
| Load that can be lifted | 661 lbs |
| Weight | 176 lbs |

