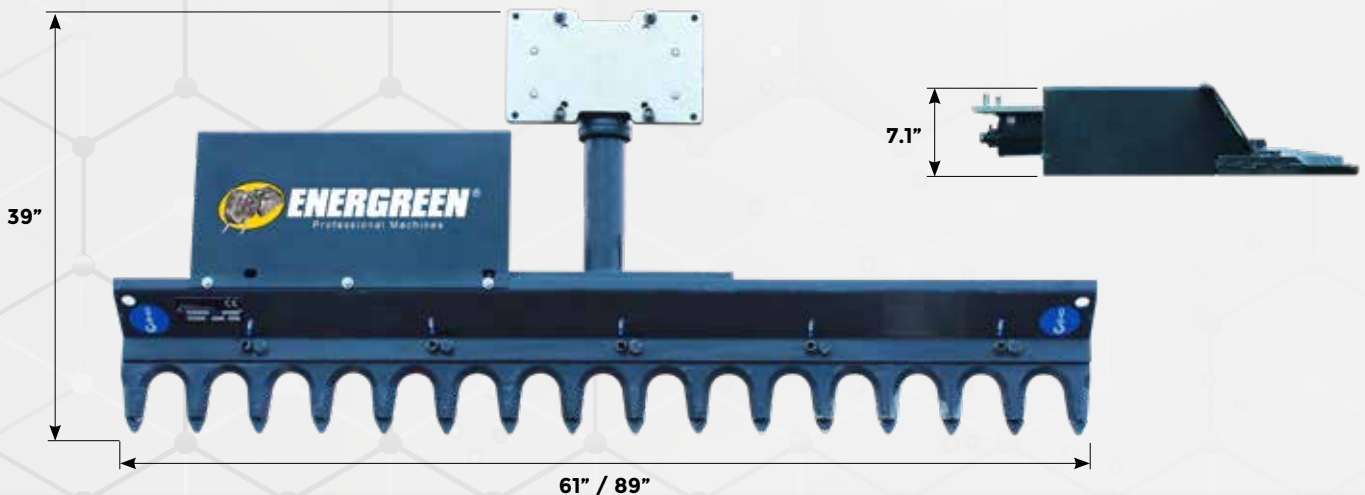
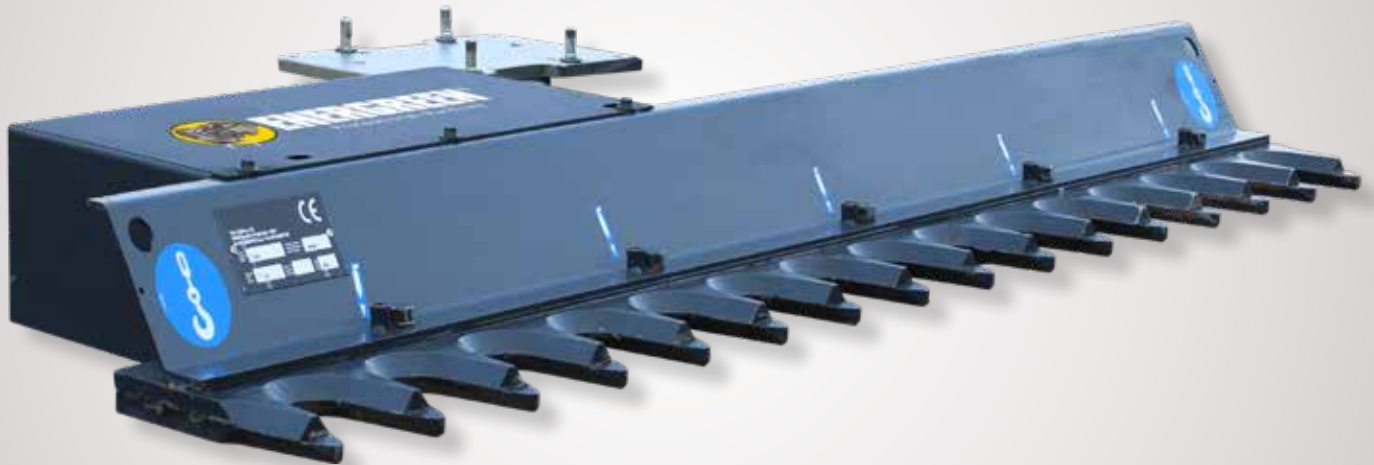




ENERGREEN[®] *America*
Professional Machines



POWERSHEARS



TECHNICAL DATA SHEET POWER SHEARS 61" / 89"

POWERSHEARS

ROBUST WEAR RESISTANT
STEEL FRAME



TWO ANTI-SEIZING
STEEL COMB BLADES

POWER SHEARS is a professional branch cutting bar with automatic anti-seizing mechanism and high pressure valve. The bar is used for pruning hedges, shrubs and small plants up to a maximum diameter of 47". Power Shears features a robust steel frame with high wear resistance and two steel comb blades one of which is movable. They perform a precise and clean cut of the branch. It is available in two working lengths: 61" and 89". The tool is designed to be fitted, with professional hydraulic systems, to the arms of all Energreen ILF machines.



TECHNICAL DATA

	POWER SHEARS 61"	POWER SHEARS 89"
Working width	61"	89"
Cutting max. diameter	4.7"	4.7"
Hydraulic flow min/max	10,5 - 14,5 gal/min	10,5 - 14,5 gal/min
Weight	440 lb	507 lb

EUSEGDS70700 - © Energreen America 2021 - All rights reserved - Photo, technical and constructive characteristics subjected to modification without reporting requirement.