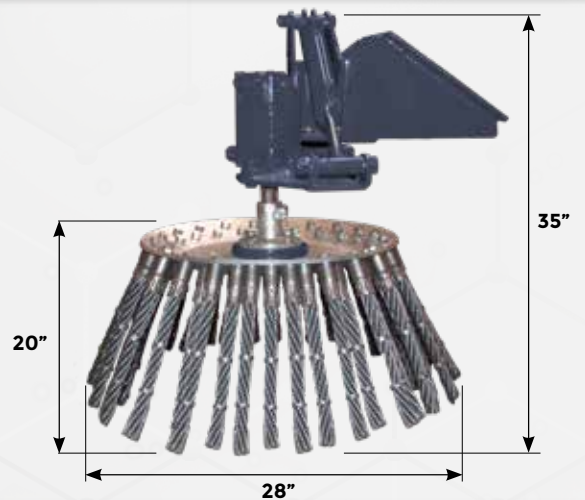




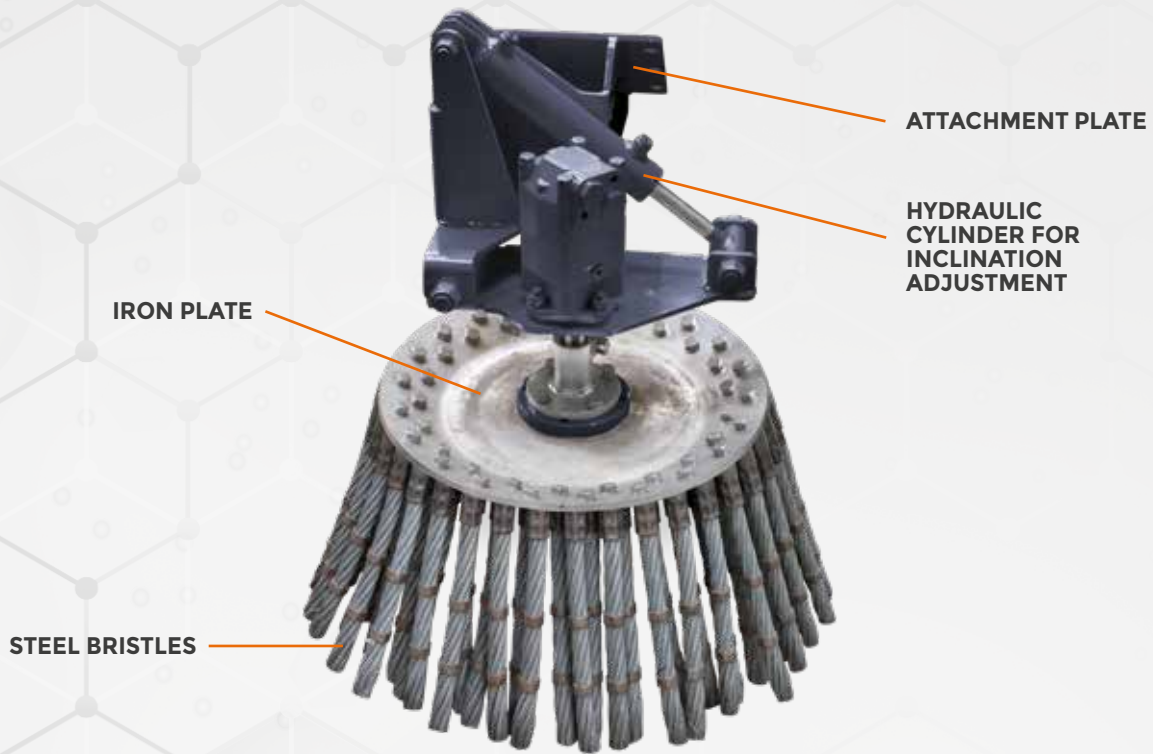
ENERGREEN[®] *America*
Professional Machines



IRONBRUSH



IRONBRUSH



IRON BRUSH is useful for mechanically removing weeds from road edges or from hard to reach places. It is equipped with a hydraulic cylinder for adjusting the inclination.



TECHNICAL DATA

Working width	28"
Hydraulic flow	15,8 gal/min
Required pressure	150 bar
Maximum pressure	200 bar / 2175 psi
Weight	275 lb