

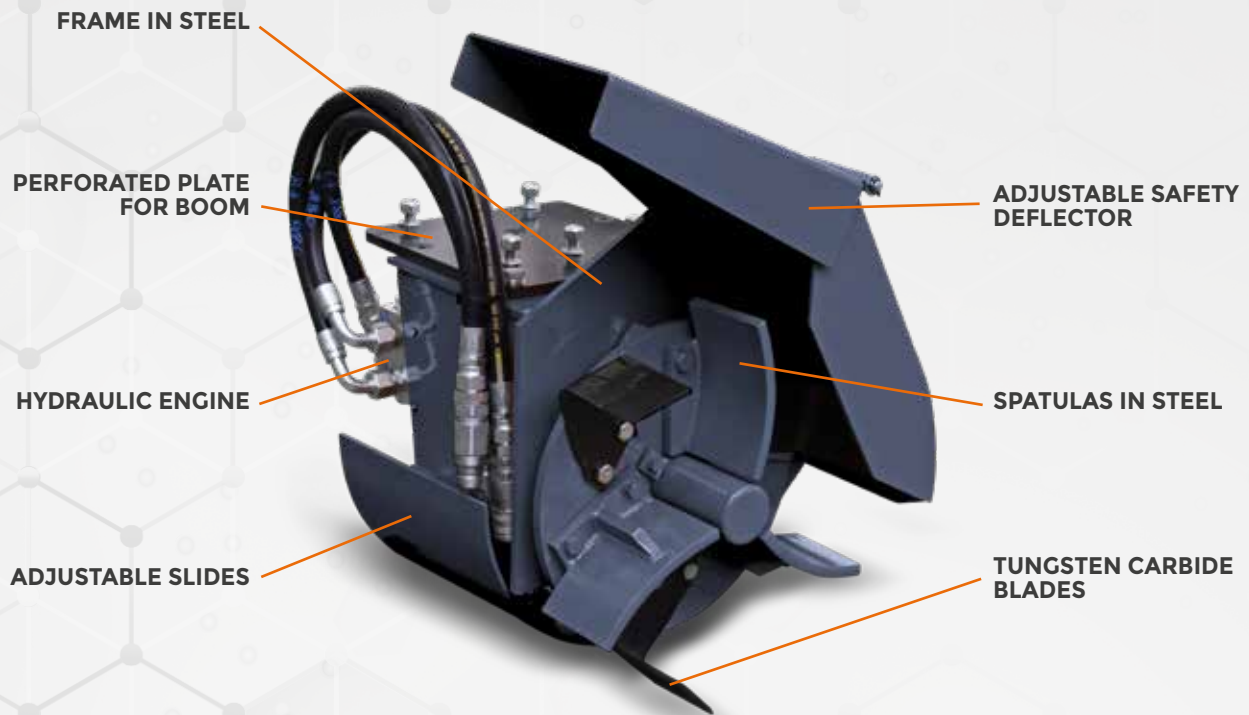


ENERGREEN[®] *America*
Professional Machines



DITCH CLEANER





DITCH CLEANER is a professional tool made entirely of steel and suitable for any type of telescopic arm. It is used for the maintenance of the bottom of the ditches, where it is necessary to cut and remove reeds, shrubs and debris. It allows to remove aquatic weeds and clean mud and sediment, thus facilitating the drainage of water. It can also be useful for the creation of new small ditches. Powerful hydraulic disc with carbide blades, adjustable safety deflectors and adjustable slides. It cleans up to 3280 ft of ditches per hour with a maximum cleaning depth of 18".



TECHNICAL DATA

Working width	24"
Power required	40 kW
Disc max. speed	625 rpm
Pressure	200 bar / 2900 psi
No. blades	3
No. spatulas	3
Weight	308 lb

EUSEQDS71200 - 07/2021 - © Energreen America 2021 - All rights reserved - Photo, technical and constructive characteristics subjected to modification without reporting requirement.